



# DGL

## Product Information Sheet

### Standard Specification

#### Dimensions

Width/Depth/ (mm)	1180/1180
Height	See table overleaf
Inlet diameter (mm)	350
Outlet diameter (mm)	50
Tare weight (kg)	See table overleaf
Capacity (L)	See table overleaf

#### Composition

Liner	LMDPE <sup>1</sup>
Frame	Mild Steel (galvanised)
Screw cap lid / Seal	HDPE <sup>4</sup> / EPDM <sup>2</sup>
Outlet / Seal	UPVC <sup>3</sup> / EPDM <sup>2</sup>

#### Options

460 mm clamp band lid, 460 mm arag lid.  
 Various valves / seals, including viton.  
 75mm outlet.  
 Fusion welded HDPE<sup>4</sup> flanged outlets are available for connecting stainless steel butterfly valves.  
 Full fork tunnels on frame (maximum handling stability).  
 Venting / anti-vac / pressure relief.  
 Vinyl logos.  
 Trem card holders.  
 Coloured liner.  
 Anti-static liner.

1 – Linear Medium Density Polyethylene  
 2 – Ethylene Propylene Diene Monomer (rubber compound)  
 3 – Unplasticised Polyvinyl Chloride  
 4 – High Density Polyethylene

#### Description

The DGL is a reusable IBC designed primarily for the transportation and storage of viscous liquids.

The DGL bottle is rotationally moulded in natural coloured UV stabilised linear medium density polyethylene. The polymer provides strong resistance to industrial wear and tear. The liner has a conical base to enable total draining of the contents. It is supported and protected by a galvanised mild steel frame providing excellent resistance to the elements. The units are interstackable for loading and space saving and have integral four way fork truck entry with anti-tilts to improve handling safety and efficiency.

The liner inlet is a 350mm HDPE<sup>4</sup> screw cap fitted with an EPDM<sup>2</sup> O-ring seal. The outlet is a 50mm fusion welded socket to a single union UPVC<sup>3</sup> ball valve fitted with EPDM<sup>2</sup> seals. It is attached to the liner via a fusion welded 50mm BSP male threaded socket. A 50mm BSP female threaded end on each side of the valve terminates in a 50mm male camlock adaptor and dustcap. The dustcap acts as a secondary closure and is secured to the outlet via a cable.

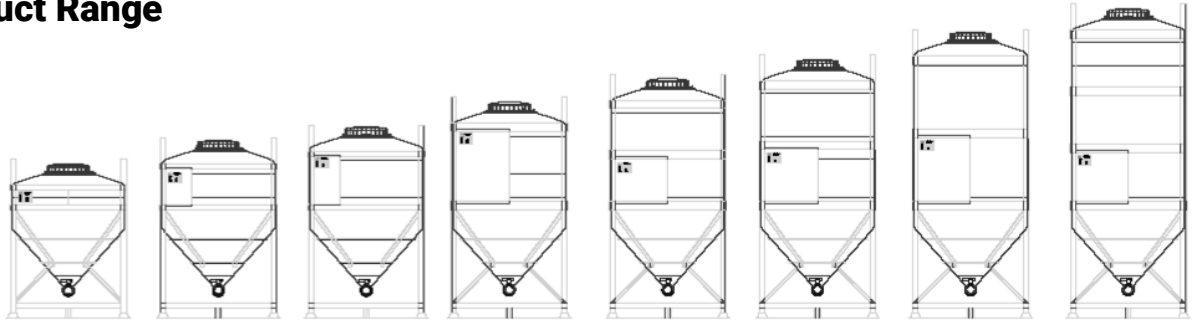


### A reusable IBC for the transportation and storage of liquid products

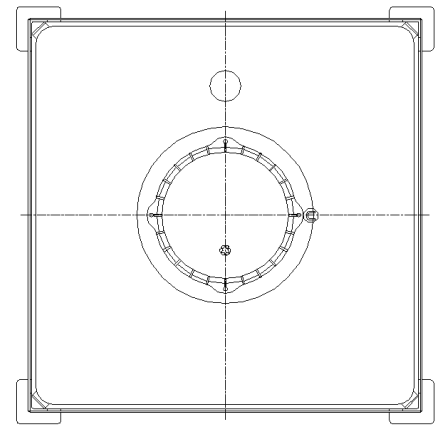
Model shown is a DGL 1000 fitted with a screw cap and ball valve outlet



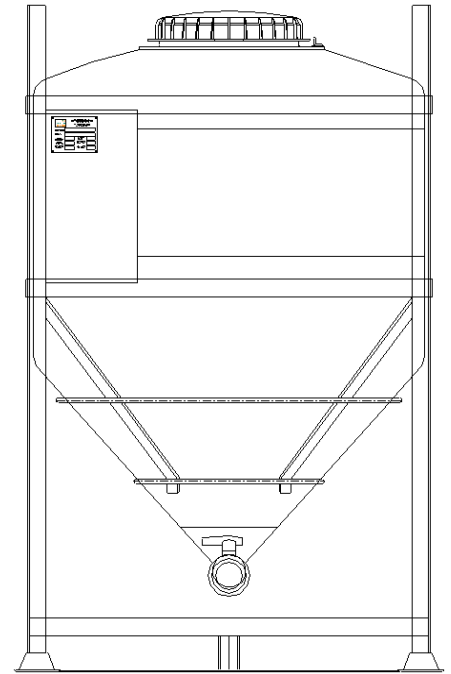
# DGL Product Range



TYPE	500	750	1000	1250	1500	1750	2000	2250
Capacity - L	500 L	750 L	1000 L	1250 L	1500 L	1750 L	2000 L	2250 L
Height - mm	1525	1724	1850	2099	2338	2521	2754	3008
Tare Weight - kg	116	124	130	151	190	197	212	240



DGL 1000 Plan View



DGL 1000 front elevation



DGL 500 with castors

Whilst every attempt has been made to ensure that the information provided in this product information sheet is accurate and reliable Francis Ward cannot accept responsibility for the interpretation of the information provided. It is the responsibility of the user to determine the chemical compatibility of the container with its intended contents.



**Francis Ward** – A Division of The Rotational Mouldings Group

Brook House, 221 Bowling Back Lane, Bradford, BD4 8SJ, UK

Tel: +44 (0)1274 707030 | Fax: +44 (0)1274 724704 | Email: [sales@francisward.com](mailto:sales@francisward.com) | Web: [www.francisward.com](http://www.francisward.com)