



MTC

Product Information Sheet

Standard Specification

Dimensions

Width/Depth/ (mm)	1145/1145
Filling inlet diameter (mm)	350
Outlet diameter (mm)	50
Tare weight (kg)	See product range
Capacity (L)	See product range

Composition

Liner	LMDPE ¹
Framework with anti-tilt bars	Mild Steel (galvanised)
Inlet / Seal	HDPE ² / SR ³
Outlet / Seal	UPVC ⁴ / EPDM ⁵

Options

Various valves / seals, including Viton
 Full fork tunnels on frame (maximum handling stability)
 3" outlet / flanged outlets (both sizes)
 Coloured liner
 Anti-static liner
 Various vents
 Top fittings
 Vinyl logos / vinyl fluid level indicators

1 - Linear Medium Density Polyethylene 3 - Silicone Rubber
 2 - High Density Polyethylene 4 - Unplasticised Polyvinyl Chloride
 5 - Ethylene Propylene Diene Monomer (rubber compound)
 6 - Glass Reinforced Polypropylene

Description

The MTC is a reusable IBC designed for the transportation and storage of liquids.

The MTC liner is rotationally moulded in natural UV stabilised linear medium density polyethylene. The polymer has strong resistance to industrial wear and tear. The liner base, which is conical in shape, enables efficient discharge and draining of fluids including high viscosity liquids. The liner has a fusion socket allowing the attachment of a wide range of outlet fittings. The liner is protected by a galvanised mild steel frame, providing excellent resistance to the elements. The units are interstackable for loading and space saving and have integral four way fork truck entry with anti-tilts to improve handling efficiency.

The liner inlet which is 350mm in diameter has a HDPE² screw cap fitted with an SR³ O-ring seal as standard. The outlet is a 50mm single union UPVC⁴ ball valve fitted with EPDM⁵ seals. It is attached to the liner via a fusion welded 50mm BSP male threaded socket. A 50mm BSP female threaded end on each side of the valve terminates with a 50mm GRPP⁶ male camlock adaptor and dustcap. The dustcap acts as a secondary closure and is attached to the outlet valve via a cable.

continued overleaf

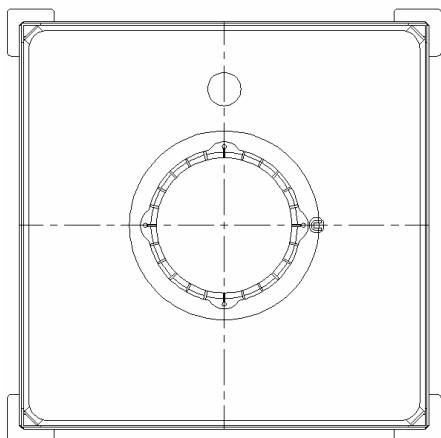


Container shown is a MTC 1000 fitted with a 14" screw lid and 2" single union ball valve

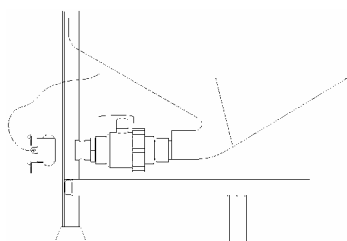
- A multi-trip composite IBC for the transportation and storage of liquids
- Coned central outlet for easy discharge
- 600 – 1200 litre capacity options
- 50 and 75 mm outlet and valve options

MTC Product Range

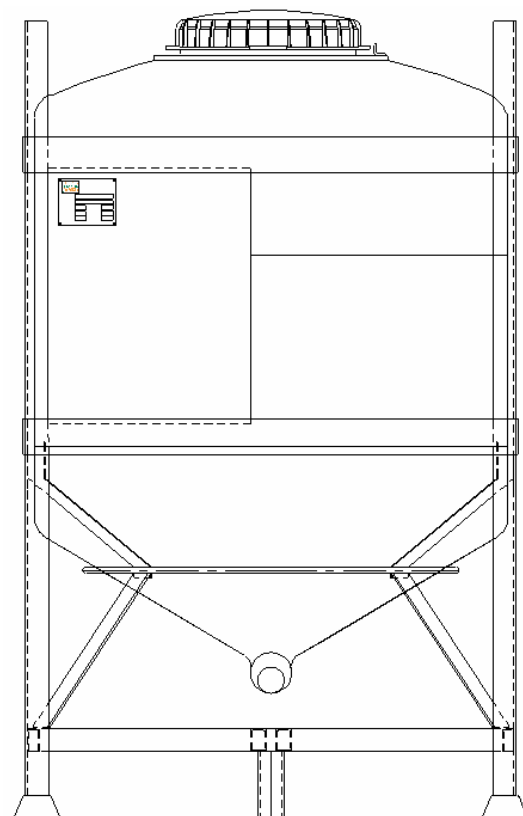
Type	Volume litres	Dimensions Width/Length/Height mm	Weight Kg
MTC 600	600	1145 / 1145 / 1320	135
MTC 800	800	1145 / 1145 / 1535	160
MTC 1000	1000	1145 / 1145 / 1740	165
MTC 1200	1200	1145 / 1145 / 2000	175



Plan View



Outlet View



Front Elevation

Whilst every attempt has been made to ensure that the information provided in this product information sheet is accurate and reliable Francis Ward Limited cannot accept responsibility for the interpretation of the information provided

It is the responsibility of the user to determine the chemical compatibility of the container with its intended contents..



Francis Ward Limited

Brook House, 221 Bowling Back Lane, Bradford, BD4 8SJ, UK

Tel: +44 (0)1274 707030 Fax: +44 (0)1274 724704

Email: sales@francisward.com

Website: www.francisward.com