



MTV

Product Information Sheet

Standard Specification

Dimensions

Width/Depth/ (mm)	1145/1145/
Filling inlet diameter (mm)	350
Outlet diameter (mm)	50
Tare weight (kg)	See product range
Capacity (L)	See product range

Composition

Liner	LMDPE ¹
Framework with anti-tilt bars	Mild Steel (galvanised)
Inlet / Seal	HDPE ² / SR ³
Outlet / Seal	UPVC ⁴ /EPDM ⁵

Options

Various valves / seals, including Viton
 Full fork tunnels on frame (maximum handling stability)
 75mm outlet / flanged outlets (both sizes)
 Coloured liner
 Anti-static liner
 Various vents
 Top fittings
 Vinyl logos / vinyl fluid level indicators

1 - Linear Medium Density Polyethylene 5 - Ethylene Propylene Diene Monomer
 2 - High Density Polyethylene
 3 - Silicone Rubber
 4 - Unplasticised Polyvinyl Chloride

Description

The MTV is a reusable IBC designed for the transportation and storage of viscous liquids.

The MTV liner is rotationally moulded in natural UV stabilised linear medium density polyethylene. The polymer has strong resistance to industrial wear and tear. The liner is supported and protected by a weather proof galvanised mild steel frame. MTV is interstackable for loading and space saving and has integral four way fork truck entry with anti-tilts to improve handling efficiency.

The liner inlet which is 350mm in diameter has a HDPE² screw cap fitted with an SR³ O-ring seal as standard. The standard outlet is a 50mm single union UPVC⁴ ball valve fitted with EPDM⁵ seals. It is attached to the liner via a fusion welded 50mm BSP male threaded socket.

continued overleaf

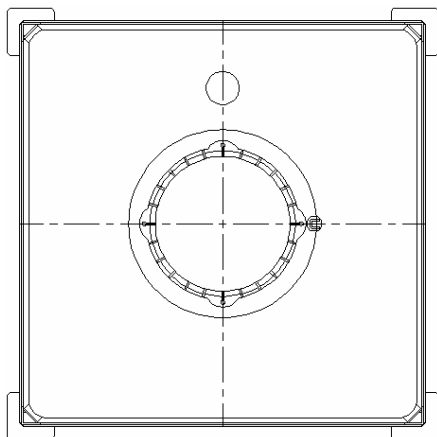


Container shown is a MTV 1000 with a 14" screw lid, 2" single union ball valve, without anti-tilt bars.

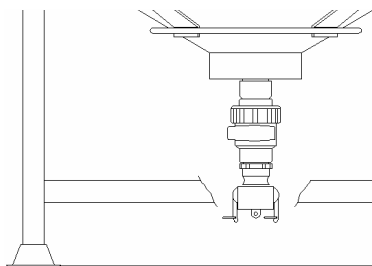
- A multi-trip composite IBC for the transportation and storage of viscous liquids
- Coned central outlet for easy discharge
- 600 – 1200 litre capacity options
- 50 and 75 mm outlet and valve options

MTV Product Range

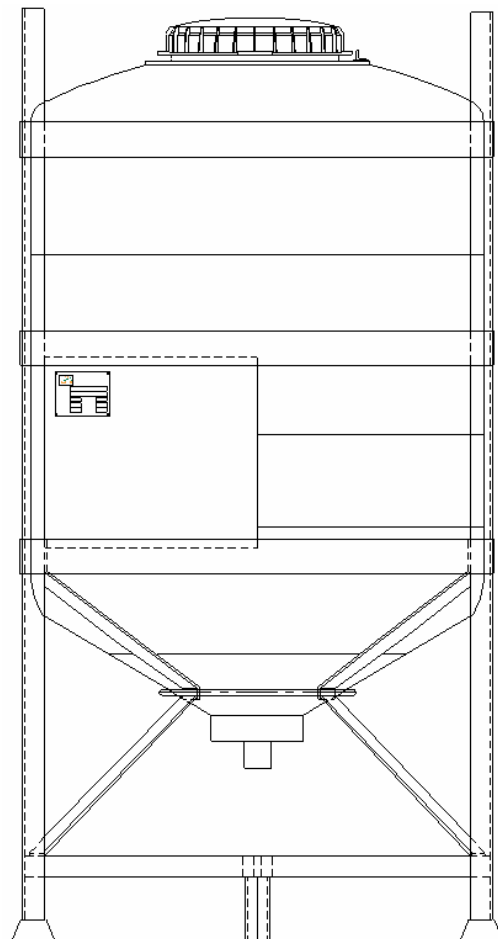
Type	Volume litres	Dimensions Width/Length/Height mm	Weight Kg
MTV 600	600	1145 / 1145 / 1470	136
MTV 800	800	1145 / 1145 / 1685	139
MTV 1000	1000	1145 / 1145 / 1890	147
MTV 1200	1200	1145 / 1145 / 2120	167



Plan View



Outlet View



Front Elevation

Whilst every attempt has been made to ensure that the information provided in this product information sheet is accurate and reliable Francis Ward Limited cannot accept responsibility for the interpretation of the information provided

It is the responsibility of the user to determine the chemical compatibility of the container with its intended contents..



Francis Ward Limited

Brook House, 221 Bowling Back Lane, Bradford, BD4 8SJ, UK

Tel: +44 (0)1274 707030 Fax: +44 (0)1274 724704

Email: sales@francisward.com

Website: www.francisward.com