



# PCM Stainless Steel

## Product Information Sheet

### Standard Specification

#### Dimensions

Width/Depth/Height (mm)	1200/1200/
Filling inlet diameter (mm)	460
Outlet diameter (mm)	50
Tare weight (kg)	See product range
Capacity nominal (L)	See product range

#### Composition

Tank body	316 Stainless Steel
Framework	Mild Steel
Inlet / Seal	Stainless Steel / PTFE <sup>1</sup>
Outlet / Seal	Stainless Steel / PTFE <sup>1</sup>

#### Maximum Working Pressure

BAR / PSI	1.36 / 20
-----------	-----------

#### UN Certification

Group II approved

#### Options

304 Stainless Steel Tank

Lid fittings

Outlet valve types, including stainless steel

Outlet valve seal materials

<sup>1</sup> - Polytetrafluoroethylene

#### Description

The PCM stainless steel is a reusable IBC designed for the transportation, storage and pressure discharge of hazardous liquids.

The pressure discharge method is highly cost effective; containers are not left with customers. Instead a unit on average can achieve 3 deliveries a week. The cylindrical tank body, manufactured from stainless steel 316L with a 2B sheet finish, is inherently much stronger than square tanks and with no crevices is easy to clean down. The container comes with a detachable and replaceable galvanised mild steel pallet base providing excellent resistance to the elements. It has four way fork truck entry with anti-tilts and a two way pallet truck entry to improve handling efficiency

The tank inlet which is 460mm in diameter has a stainless steel manway cover with a galvanised carrying strap secured via 24 bolts. The cover is fitted with a PTFE seal and 2 x 38mm S316 camlock and dustcaps. The outlet consists of a 50mm threaded outlet pipe in stainless steel welded to a hemisphere with a 3° slope. The outlet pipe terminates in a 50mm lockable stainless steel 2 piece ball valve with a 50mm stainless steel camlock and cap as a secondary closure. The cap is attached to the valve by a retaining cable.

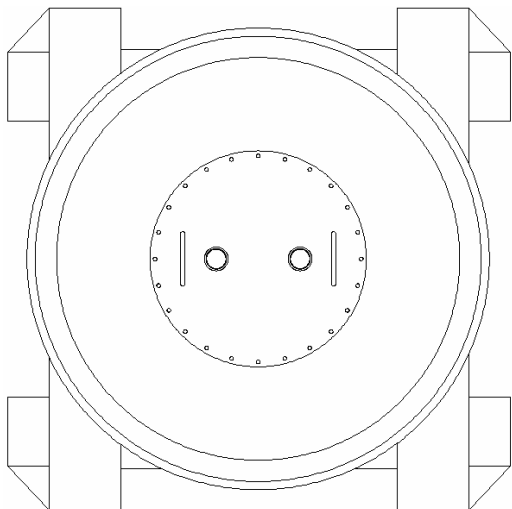


- A multi-trip stainless steel IBC designed for pressurised discharge of contents
- 4 way fork lift truck entry with anti-tilt facility
- 2 way pallet truck entry
- UN Group II approved

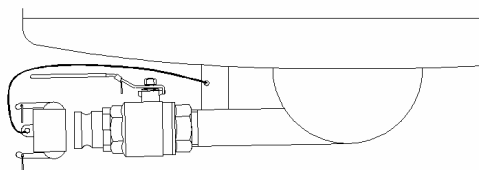
*continued overleaf*

## PCM Stainless Steel Product Range

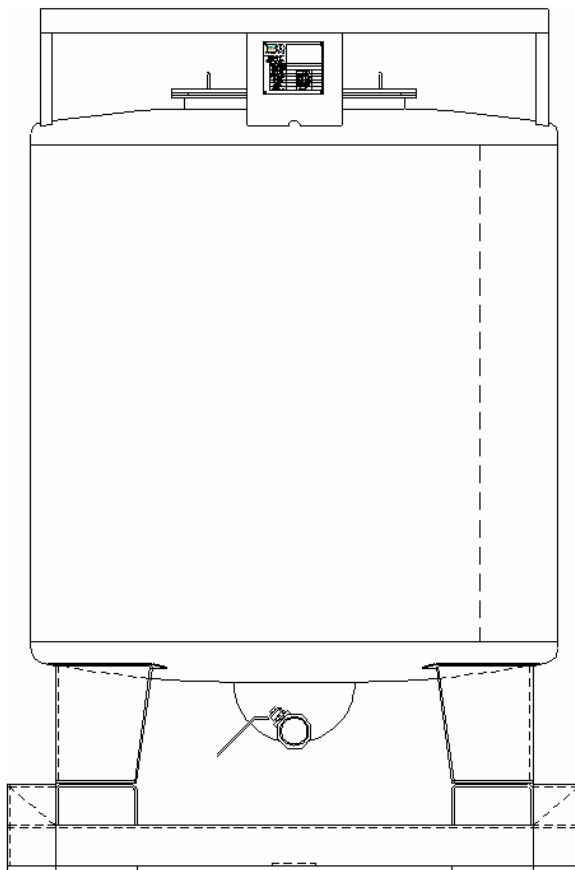
Type	Volume litres	Dimensions Width/Length/Height mm	Weight Kg
PCM 600	600	1200 / 1200 / 1410	290
PCM 1000	1000	1200 / 1200 / 1810	396



Plan View



Outlet View



Front Elevation

Whilst every attempt has been made to ensure that the information provided in this product information sheet is accurate and reliable Francis Ward Limited cannot accept responsibility for the interpretation of the information provided

It is the responsibility of the user to determine the chemical compatibility of the container with its intended contents.



Francis Ward Limited

Brook House, 221 Bowling Back Lane, Bradford, BD4 8SJ, UK

Tel: +44 (0)1274 707030 Fax: +44 (0)1274 724704

Email: [sales@francisward.com](mailto:sales@francisward.com)

Website: [www.francisward.com](http://www.francisward.com)