



MTC

Product Information Sheet

Standard Specification

Dimensions

Width/Depth/ (mm)	1145 / 1145
Height	see product range
Inlet diameter (mm)	350
Outlet diameter (mm)	50
Tare weight (kg)	See product range
Nominal capacity (L)	See product range

Composition

Frame	Galvanised steel
Liner	LMDPE ²
Closure	PP ¹
Closure gasket	Silicone Rubber

Options

Clamp band lid, Arag lid
 Various vents
 Coloured liner, graphics on liner
 Anti-tilts in frame, fork tunnels, castors
 Graphics on liner

- 1 – Polypropylene
- 2 – Linear Medium Density Polyethylene
- 3 – Ethylene Propylene Diene Monomer (rubber compound)
- 4 - Unplasticised Polyvinyl Chloride
- 5 – Glass Reinforced Polypropylene

General Description

The MTC is a reusable IBC designed for the transportation and storage of liquids.

The MTC liner is rotationally moulded in natural UV stabilised linear medium density polyethylene. The polymer has strong resistance to industrial wear and tear. The liner base, which is conical in shape, enables efficient discharge and draining of fluids including high viscosity liquids. The liner has a fusion socket allowing the attachment of a wide range of outlet fittings. The liner is protected by a galvanised mild steel frame, providing excellent resistance to the elements. The units are interstackable for loading and space saving and have integral four way fork truck entry with anti-tilts to improve handling efficiency and safety.

The liner inlet which is 350mm in diameter has a PP¹ screw cap fitted with a food approved O-ring seal as standard. The outlet is a 50mm single union UPVC⁴ ball valve fitted with EPDM³ seals. It is attached to the liner via a fusion welded 50mm BSP male threaded socket. A 50mm BSP female threaded end on each side of the valve terminates with a 50mm GRPP⁵ male camlock adaptor and dustcap. The dustcap acts as a secondary closure and is attached to the outlet valve via a cable.

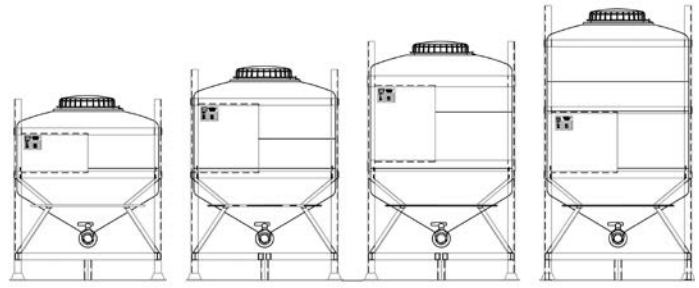


A reusable IBC for the transportation and storage of liquids

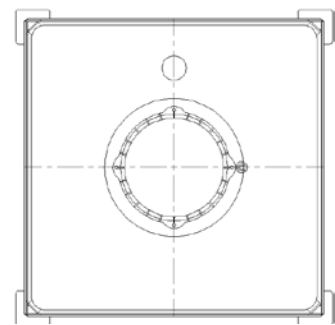
Model shown is an MTC 1000 with a standard screw cap and ball valve outlet.



MTC Product Range



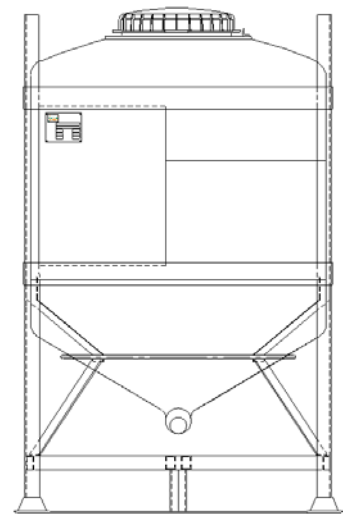
TYPE	600	800	1000	1200
Capacity - L	600 L	800 L	1000L	1200L
Height - mm	1320	1535	1740	2000
Tare Weight - kg	135	160	165	175



MTC Plan view



MTC 1000's fitted with fork tunnels, and coloured bottles with abrasion resistant graphics



MTC Front elevation

Whilst every attempt has been made to ensure that the information provided in this product information sheet is accurate and reliable Francis Ward cannot accept responsibility for the interpretation of the information provided. It is the responsibility of the user to determine the chemical compatibility of the container with its intended contents.



Francis Ward – A Division of The Rotational Mouldings Group

Brook House, 221 Bowling Back Lane, Bradford, BD4 8SJ, UK

Tel: +44 (0)1274 707030 | Fax: +44 (0)1274 724704 | Email: sales@francisward.com | Web: www.francisward.com