



DGC 90

Product Information Sheet



A reusable IBC for the transportation and storage of dry goods

Model shown is a DGC 1000/90 fitted with a standard screw cap and slide valve outlet.

Standard Specification

Dimensions

Width/Depth/ (mm)	1180/1180
Height	See table overleaf
Inlet diameter (mm)	350
Outlet diameter (mm)	250
Tare weight (kg)	See table overleaf
Capacity (L)	See table overleaf

Composition

Liner	LMDPE ¹
Frame	Mild Steel (galvanised)
Screw cap lid / Seal	PP ³ / EPDM ²
Outlet / Seal	Various (see options)

Options

460 mm clamp band lid, 360 mm arag hinged lid.
Iris or Slide valve outlet.
Anti-tilt bars on frame.
Full fork tunnels on frame (maximum handling stability).
Castors on frame.
Venting / anti-vac / pressure relief.
Vinyl logos.
Trem card holders.
Coloured liner, anti-static liner, semi-conductive liner, flame retardant liner.

¹ - Linear Medium Density Polyethylene

² - Ethylene Propylene Diene Monomer (rubber compound)

³ - Polypropylene

Description

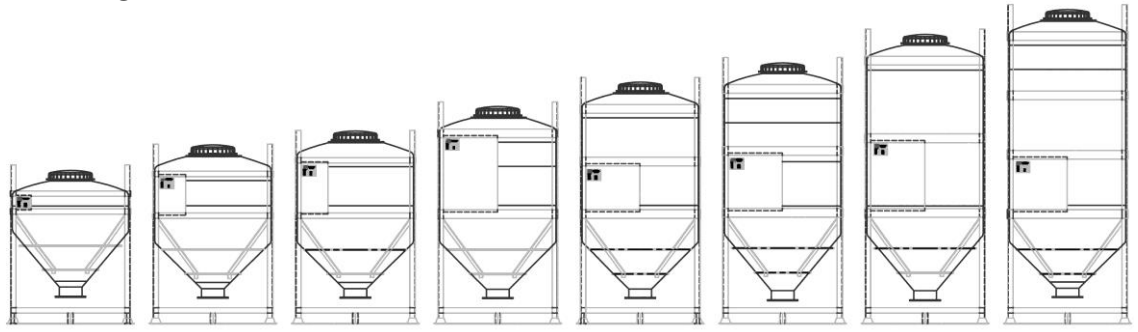
The DGC is a reusable silo IBC designed for the transportation and storage of dry goods e.g. powders and granules.

The DGC liner is rotationally moulded in natural UV stabilised linear medium density polyethylene. The polymer has strong resistance to industrial wear and tear. The conical base has 90° cone angle which is designed to provide total discharge of the contents. The liner is supported and protected by a galvanised mild steel frame, providing excellent resistance to the elements. The base of the frame has integral four way fork truck entry.

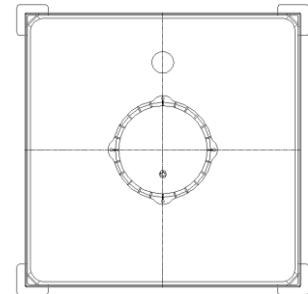
The liner inlet which is 350mm in diameter has a PP³ screw cap fitted with an EPDM² O-ring seal as standard. The vertical outlet at the base of the liner can be specified with a slide valve or iris valve to suit individual applications.



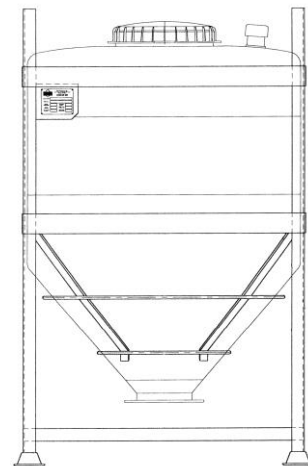
DGC 90 Product Range



TYPE	500	750	1000	1250	1500	1750	2000	2250
Capacity - L	500 L	750 L	1000 L	1250 L	1500 L	1750 L	2000 L	2250 L
Height - mm	1465	1656	1825	2045	2270	2454	2715	2940
Tare Weight - kg	100	110	120	125	140	150	165	175



DGC 90 Plan View



DGC 90 Front View

Whilst every attempt has been made to ensure that the information provided in this product information sheet is accurate and reliable Francis Ward cannot accept responsibility for the interpretation of the information provided. It is the responsibility of the user to determine the chemical compatibility of the container with its intended contents.



Francis Ward – A Division of The Rotational Mouldings Group

Brook House, 221 Bowling Back Lane, Bradford, BD4 8SJ, UK

Tel: +44 (0)1274 707030 | Fax: +44 (0)1274 724704 | Email: sales@francisward.com | Web: www.francisward.com