



Warlord

Product Information Sheet

Standard Specification

Dimensions

Width/Depth/ (mm)	305 / 325
Height (mm)	See product range
Filling inlet diameter (mm)	50
Tare weight (kg)	See product range
Nominal capacity (L)	See product range

Composition

Drum	LMDPE ¹
Closure	LMDPE ¹
Closure gasket	See product range

UN Certification

30L - Group II / SG 1.9 20L – Group II / SG 2.0

Options

Colour
Various closures
Top print
Side print

1 – Linear Medium Density Polyethylene

General Description

The Warlord is a re-usable drum primarily designed for use with dangerous liquids. The square round form enables efficient pallet space utilisation.

The container incorporates an integral ergonomically shaped handling, an offset pouring spout and secure interstacking features. Side walls are provided with large label attachment areas. The design allows optimal draining with less than 0.1% of nominal capacity retained when the container is emptied.

The closure is of buttress type. The 30 Litre Warlord is available with an optional hand tight closure (7 Nm). A vented hand tight closure is available for products requiring pressure relief.

The Warlord CF has a closed dispense system for use with products that need to be handled avoiding human contact.

The container is rotationally moulded in LMDPE. Unlike blow moulding the process is essentially stress free and creates a container with no seams or welds. The body of the moulding is of generally uniform wall thickness with thickening in corners and radii where reinforcement is of most benefit.

The polymer used in the manufacture of the container is highly UV stabilised and exhibits excellent low temperature impact strength, chemical resistance and environmental stress crack resistance.



Reusable drums for the transportation and storage of dangerous liquids

Models shown are coloured 20L and 30L Warlords with standard closures



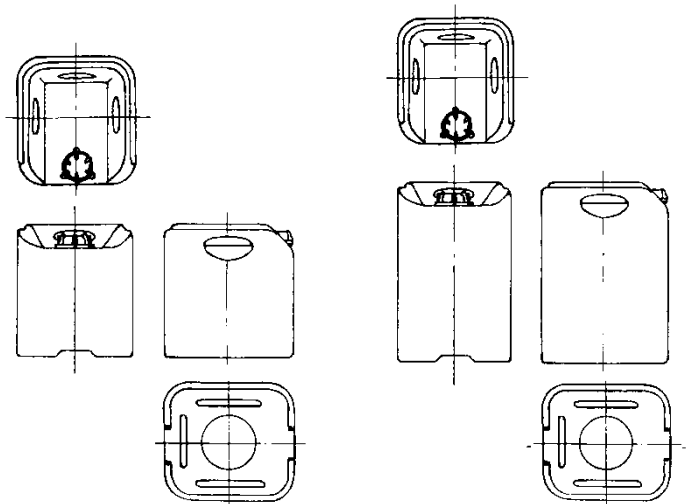
Warlord Product Range



TYPE	20L Warlord	30L Warlord	28L Warlord CF
UN Approved	YES (CERT.FW 6231)	YES (CERT.FW 6041)	YES (CERT. FW 6293)
Capacity - L	20 L	30 L	28L
Height - mm	363	463	464
Tare Weight - kg	2.4	3.0	2.9
Closure Torque (Nm)			
Standard Cap	20	30	N/A
Vented Cap	20	30	N/A
Hand Tight Cap (Butyl Seal)	N/A	7	N/A
Hand Tight Cap (FKM Seal)	N/A	7	N/A
Hand Tight Vented Cap (Butyl Seal)	N/A	7	N/A
Closed Dispense System fitted	N/A	N/A	28



Black 30L Warlords with vented closures



20L Warlord

30L Warlord

Whilst every attempt has been made to ensure that the information provided in this product information sheet is accurate and reliable Francis Ward cannot accept responsibility for the interpretation of the information provided. It is the responsibility of the user to determine the chemical compatibility of the container with its intended contents.



Francis Ward – A Division of The Rotational Mouldings Group

Brook House, 221 Bowling Back Lane, Bradford, BD4 8SJ, UK

Tel: +44 (0)1274 707030 | Fax: +44 (0)1274 724704 | Email: sales@francisward.com | Web: www.francisward.com